



Project Name: _____

Location: _____

Item #: _____ Qty: _____

Model: _____

30" MODULAR ICE MACHINES

MODEL: MIM452 MIM475H



Maxx Ice modular, air-cooled ice machines are designed for high volume ice production application. The modular units are compatible with most ice storage bins and beverage dispensers. Available in both full or half dice cubes, these units feature a stainless steel exterior for easy cleaning and superior durability. The vertical evaporator and proven ice making technology will deliver years of reliable ice production.

FEATURES AND CONSTRUCTION

- Stainless steel exterior
- Air-cooled compressor
- Automatic cleaning cycle
- Units are stackable for increased ice production (optional adapter is required)

DAILY ICE PRODUCTION

Air Temp 70°F (21°C) / Water Temp 50°F (10°C)	
MIM452.....	460 lbs (209 kg)
MIM475H.....	475 lbs (215 kg)

Air Temp 90°F (32°C) / Water Temp 70°F (21°C)	
MIM452.....	368 lbs (164 kg)
MIM475H.....	368 lbs (164 kg)

OPERATING REQUIREMENTS

Ambient Air Temperature Range..... 50° to 100°F (10° to 38°C)
 Water Temperature Range..... 41° to 90°F (5° to 32°C)
 Water Usage per 100 lbs of ice..... 16 Gallons (60.6L)
 Water Supply Line Connection 3/8" FPT
 Water Pressure Range:
 Min PSI..... 15 Max PSI80*
 Min Bar 1.0 Max Bar.....5.5
 *Above 80 PSI requires a regulator

Energy Consumption per 100 lbs of ice:

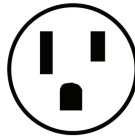
MIM452.....	7.1 kWh/100 lbs
MIM475H.....	7.1 kWh/100 lbs



Designed to fit with the Maxx Ice BIN650 and BIN950 Bins (sold separately)

ELECTRIC

115V / 60Hz / 1Ph
(230V / 50-60Hz / 1Ph is available as an option)
6' (2m) NEMA 5-15P cord set included



NEMA 5-15P

3RD PARTY APPROVALS



Intertek

Certified to ANSI NSF 12



Intertek

Certified to ANSI UL 563



DOE 2018 Compliant



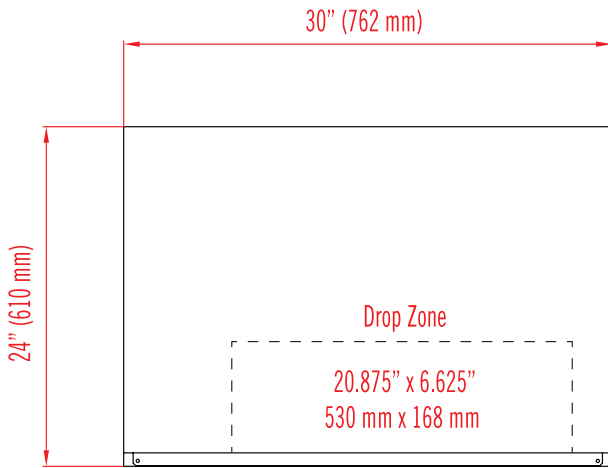
Meets Energy Star Guidelines

MAXX ICE WARRANTY (USA / CANADA)

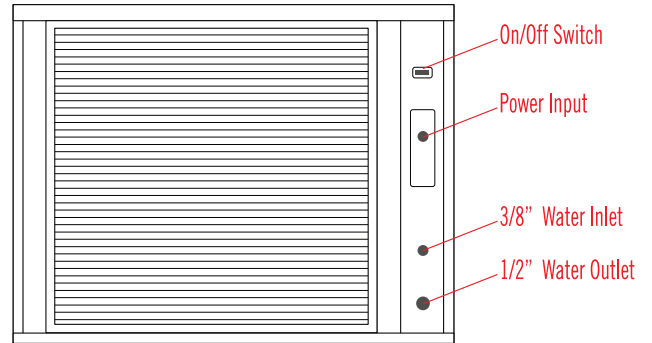
Contact Maxx Ice for warranty statement at
TechnicalServices@TheLegacyCompanies.com or 877.368.2797



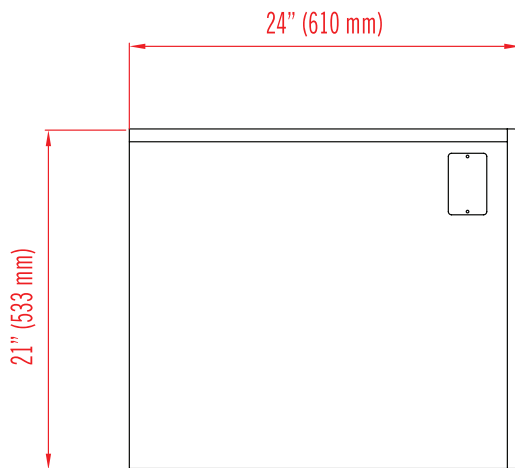
TOP VIEW



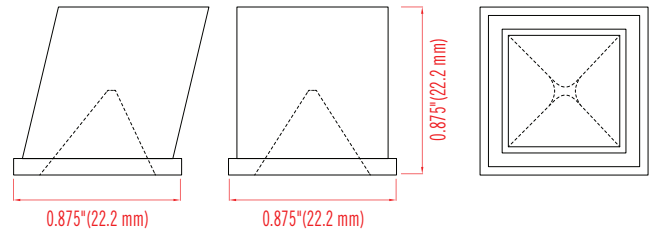
REAR VIEW



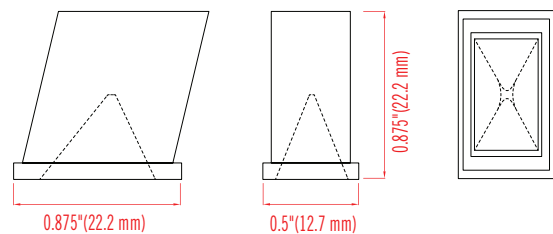
SIDE VIEW



FULL DICE CUBE (MIM452)



HALF DICE CUBE MIM475H)



MODEL	EXTERNAL DIMENSIONS	DAILY ICE PRODUCTION (70°F Air / 50°F Water)	COMPATIBLE MAXX ICE STORAGE BINS	NET WEIGHT / SHIPPING WEIGHT	AMP DRAW (MAKING / HARVESTING)	REFRIGERANT AND CHARGE SIZE	ELECTRICAL
MIM452	30" x 24" x 21" (762 x 610 x 533 mm)	460 lbs (209 kg)	BIN650 / BIN950	130 lbs (59 kg) 148 lbs (67 kg)	12.4A / 15.3A	R-404a 24.5 oz (695 g)	115V / 60Hz / 1Ph
MIM475H	30" x 24" x 21" (762 x 610 x 533 mm)	475 lbs (215 kg)	BIN650 / BIN950	130 lbs (59 kg) 148 lbs (67 kg)	12.4A / 15.3A	R-404a 24.5 oz (695 g)	115V / 60Hz / 1Ph

INSTALLATION

- A clearance of 2" from the wall is recommended to promote adequate cooling air circulation
- A gravity drain line is required to install this ice machine
- For optimal performance, the use of a water filter is recommended