



SANDWICH WARMER

Model QT14

Features/Benefits:

- ★ Holman's sandwich warmer is designed to warm a variety of sandwiches saving time (pass through time is under one minute), money and space.
- ★ Forced convection keeps the sandwich warmer cool to the touch and extends life of critical components. The forced air convection increases productivity by re-circulating, pre-heated air in the warming chamber.
- ★ Quartz Infrared heating elements, located above and below conveyor belt, provide faster more consistent heating compared to traditional heating elements.
- ★ Stainless steel 14" wide conveyor belt has continuous, horizontal moving surface (right to left) for smooth and easy loading and unloading of sandwiches. Unit can be ordered with conveyor belt moving left to right or right to left depending on your menu requirements.
- ★ Heat limit switch interrupts power to heating elements in an event air flow has been blocked and/or crumb tray is not in place keeping unit from over heating providing safe operations.
- ★ Product entry and exit openings are 3" high x 14" wide to allow a variety of sandwich options.
- ★ Removable crumb tray and exit tray for easy cleaning.
- ★ Adjustable 4" legs to line up with other Star/Holman equipment.
- ★ 24/7/365 -24 hours/7 days a week/365 days a year technical support by Holman technicians.
- ★ A window is incorporated into the customer side of the unit for increased customer interaction and merchandising.

Quality Construction:

Sandwich warmer is constructed of all stainless steel with a stainless steel 14" wide conveyor belt. Conveyor belt travels left to right, but may be ordered from right to left. Unit is 208V, 220V and 240V and must be hard wired or supplied with a minimum of 50 amp plug and outlet.

Warranty:

Sandwich Warmer is covered by Star's one-year parts and labor warranty.



**Model QT14
Operator Side**

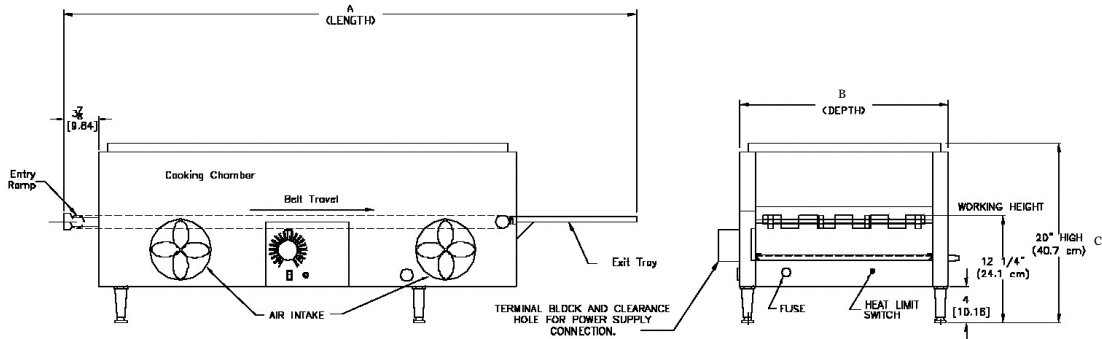


**Model QT14 with Window
Customer Side**





SANDWICH WARMER Model QT14



Performance Data

Model No.	Product Opening		Legs
	Width Inches (cm)	Height Inches (cm)	
QT14	14 (35.5)	3 (7.6)	4"

Specifications

Model No.	Dimensions			Weight lbs. (kg)	Length Inches (cm)	Shipping Depth Inches (cm)	Height Inches (cm)
	(A) Width Inches (cm)	(B) Depth Inches (cm)	(C) Height Inches (cm)				
QT14	55 (139.7)	24 (60.9)	20 (50.8)	170 (77.1)	48 (121.9)	27 (68.5)	27 (68.5)

Electrical Data

Model No.	Volts	HZ 1 Phase	Amps	Watts	Heating Elements			
					Above Belt	Wattage	Below Belt	Wattage
QT14	208	60	37.5	7,800	10	375	6	675
	220	60	35.4	7,800	10	375	6	675
	240	60	32.5	7,800	10	375	6	675

Typical Specifications

Sandwich warmer is constructed of corrosion resistant stainless steel. Supplied with dual purpose fan, and fast heat up quartz infrared heaters. Units should be located at least 6" from wall or other appliance (on left side) to allow proper clearance for fan. Units are listed with UL, CUL and are UL certified to NSF4. Printed in the U.S.A.

Due to periodic changes in designs, methods, procedures, policies and regulations, the specifications contained in this sheet are subject to change without notice. While Star Manufacturing exercises good faith efforts to provide information that is accurate, we are not responsible for errors or omissions in information provided or conclusions reached as a result of using the specifications. By using the information provided, the user assumes all risks in connection with such use.

Star Manufacturing International Inc. - 10 Sunnen Drive - P.O. Box 430129 - St. Louis, MO 63143-3800

Phone: (800) 264-7827 - FAX: (800) 264-6666 - www.star-mfg.com